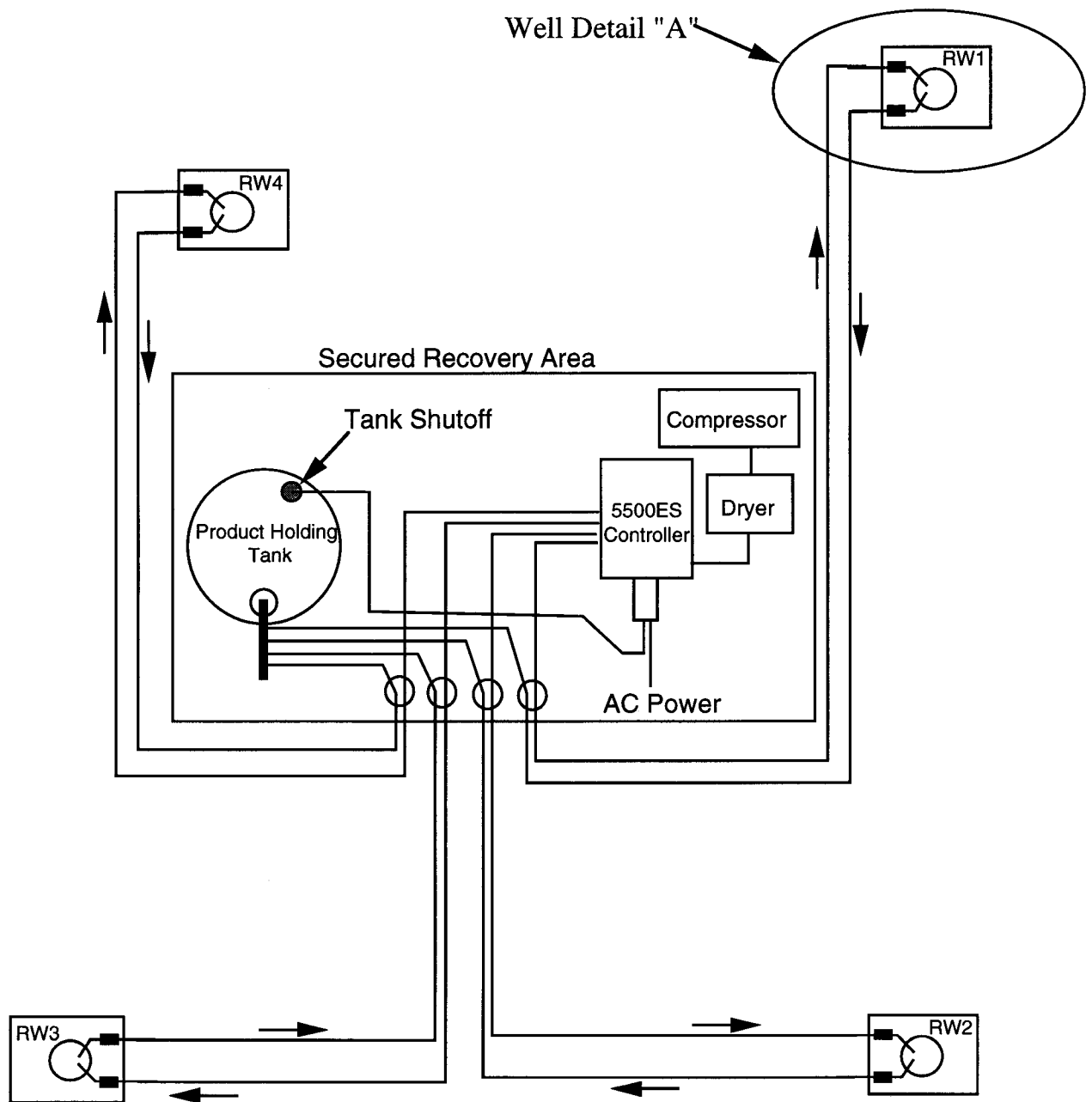


Multi-Well LNAPL Using 5500ES Controller AC Power



Well Detail "A"

