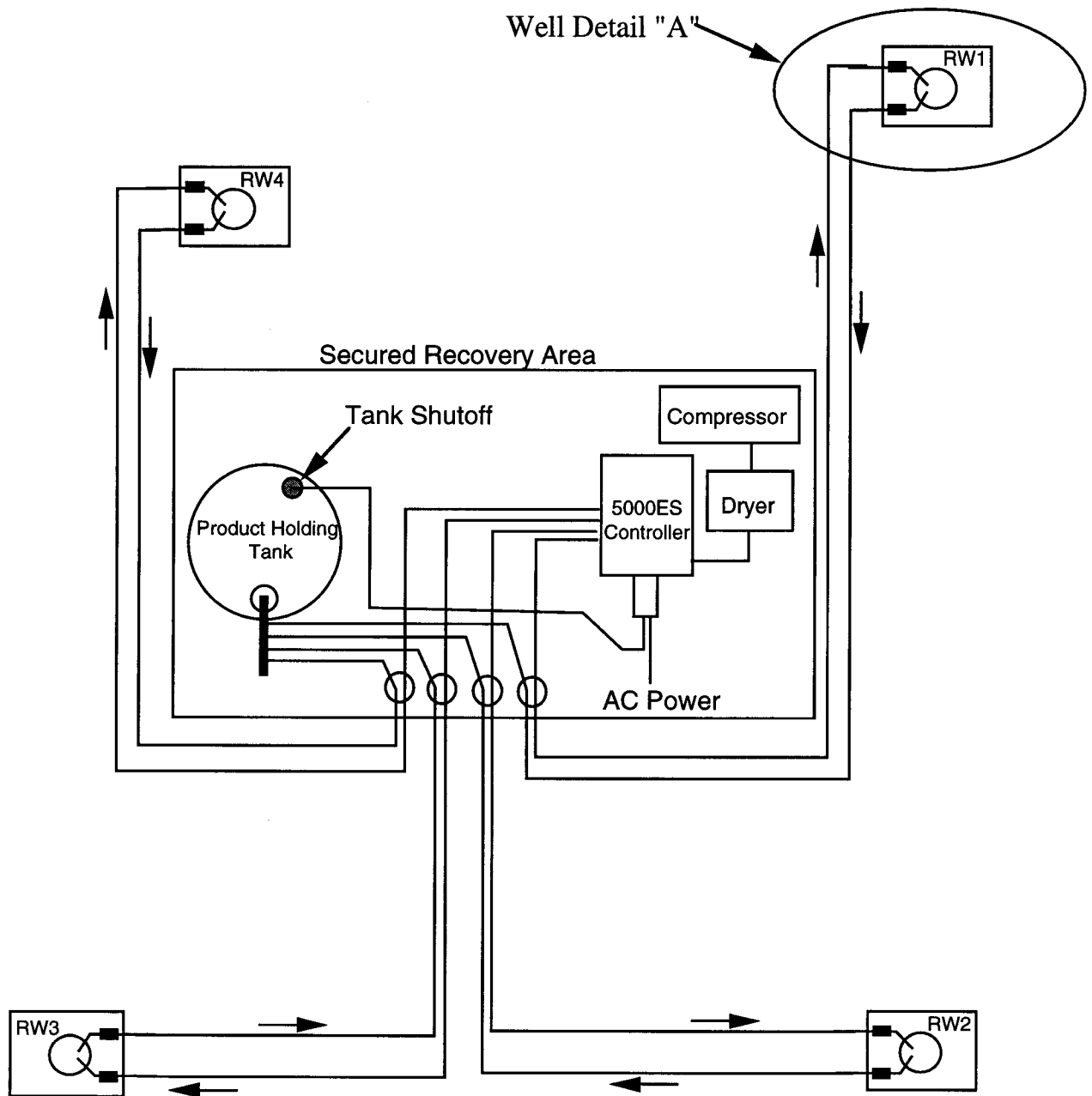
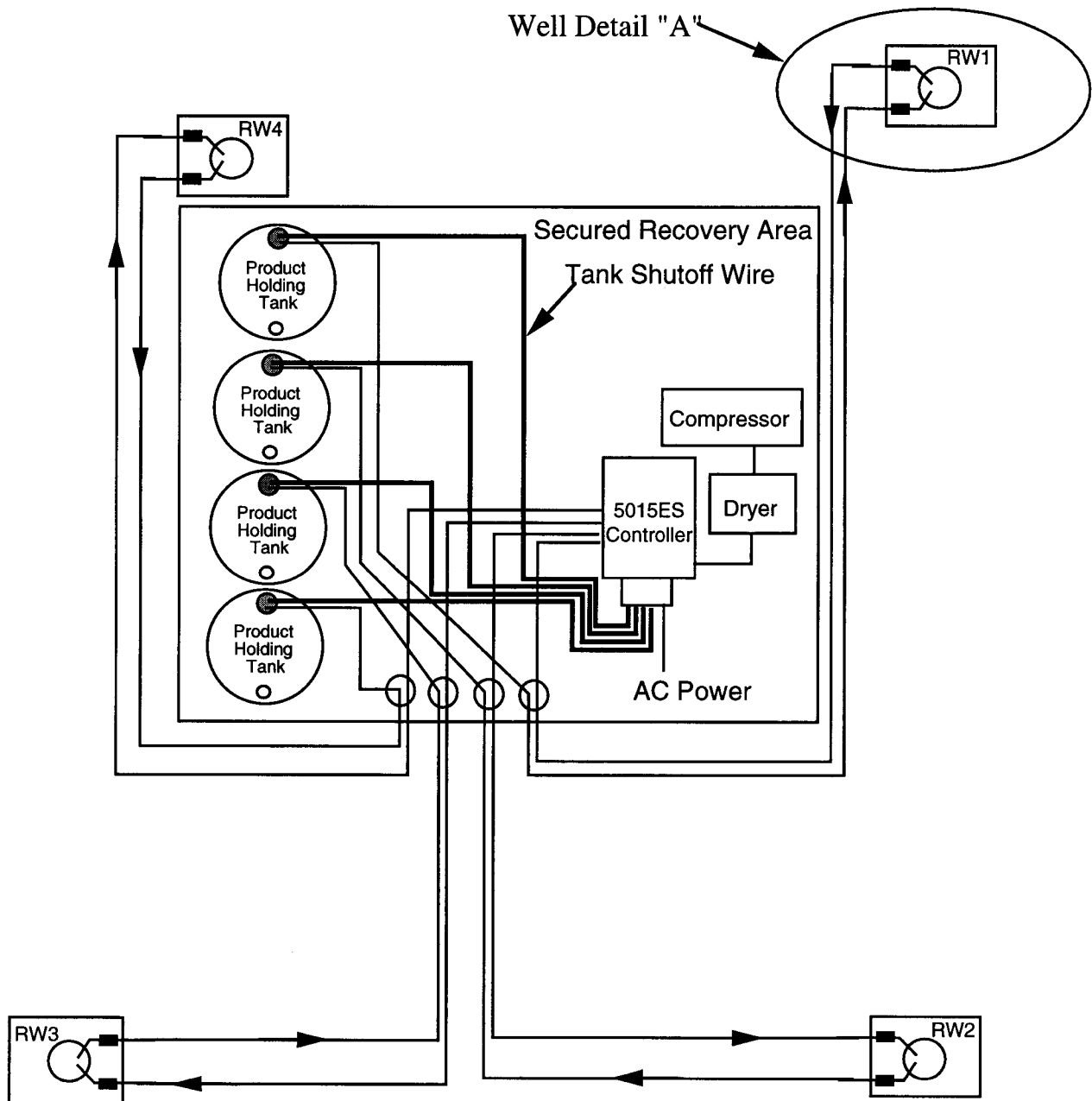


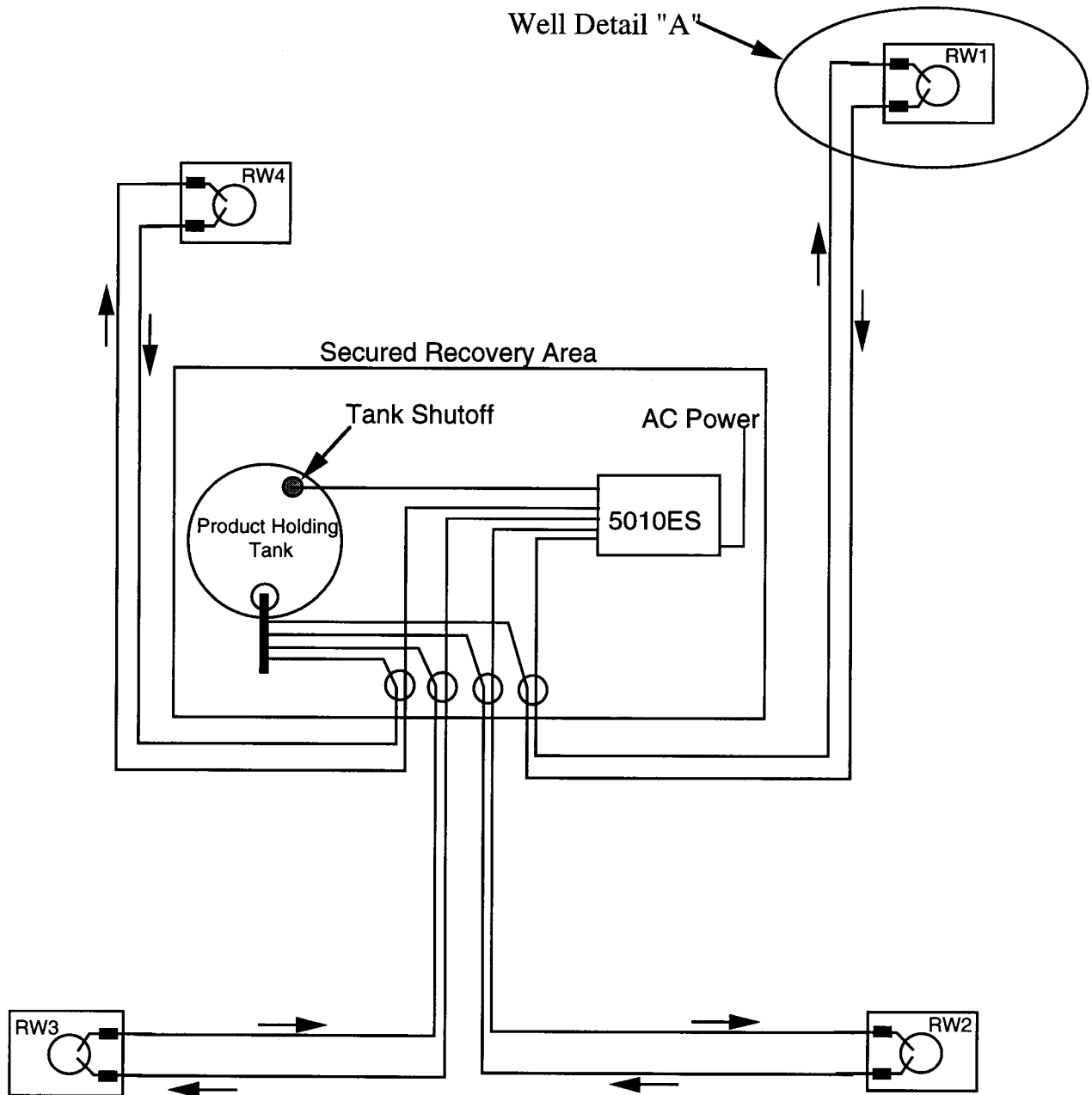
# Multi-Well DNAPL Using 5000ES Controller AC Power



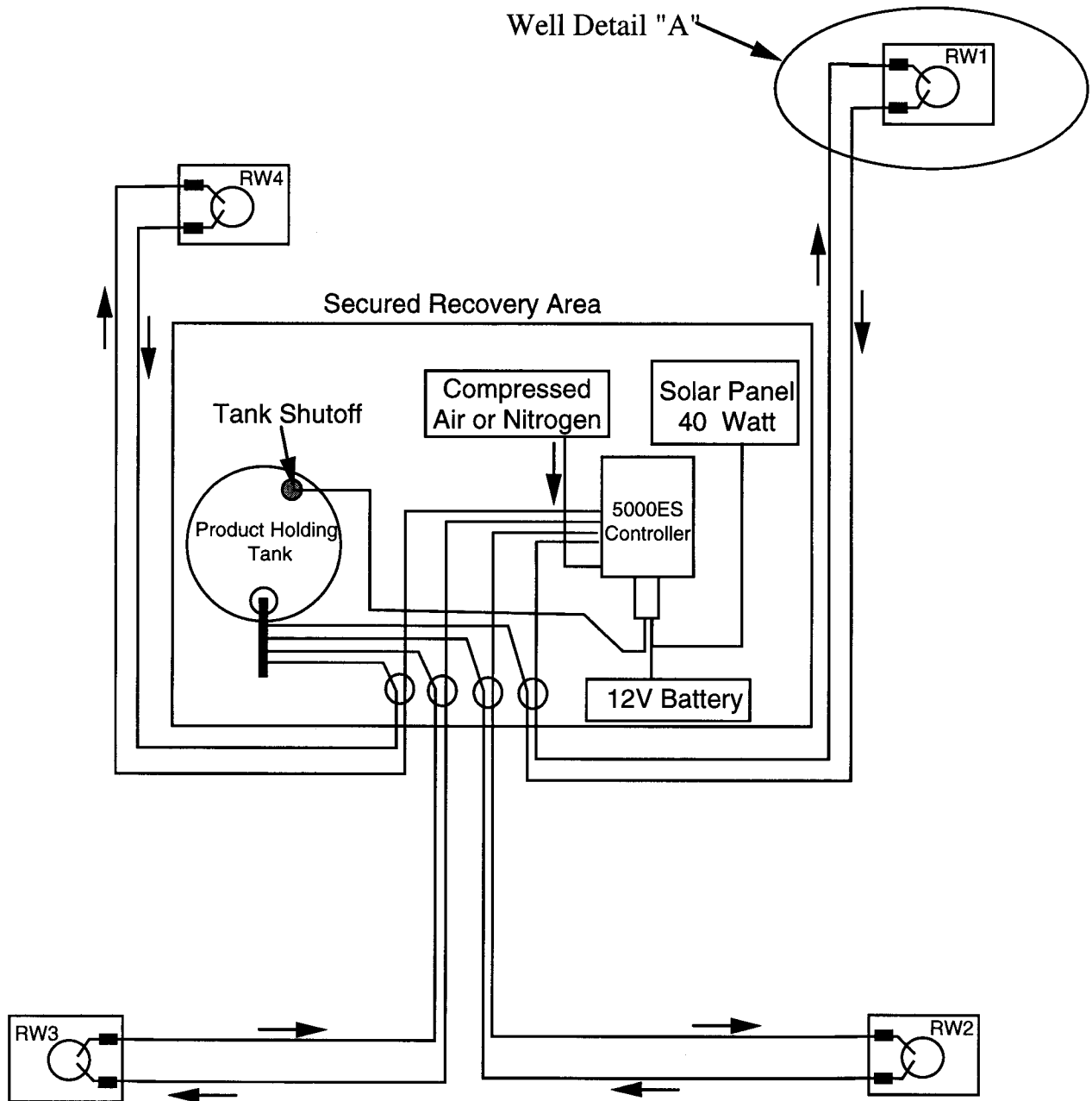
# Multi-Well DNAPL Using 5015ES Controller AC Power Individual Product Holding Tanks



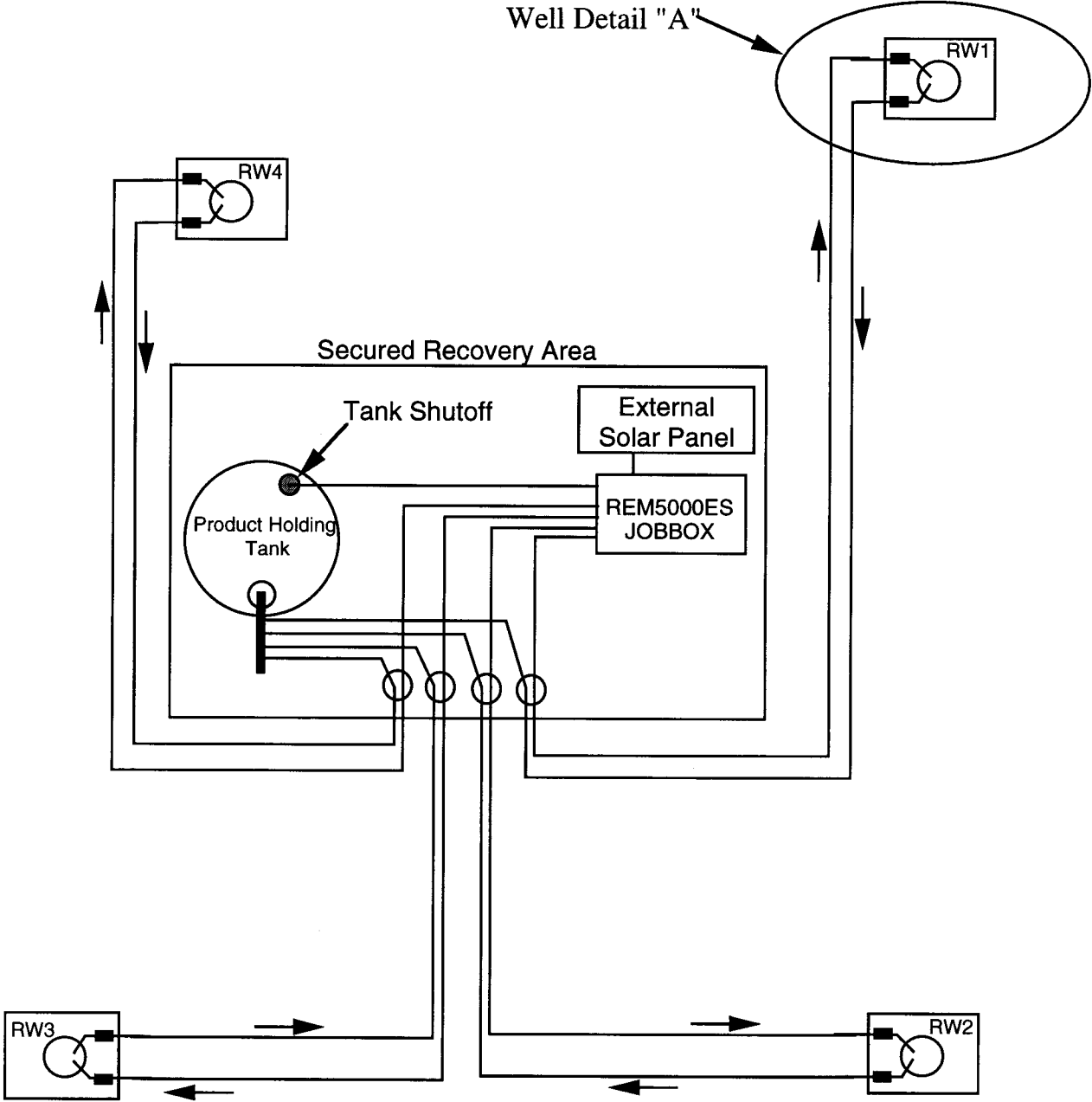
# Multi-Well DNAPL Using 5010ES Controller AC Power



# Multi-Well DNAPL Using 5000ES Controller DC Power



# Multi-Well DNAPL Using REM5000ES Controller DC Power



# Well Detail "A"

