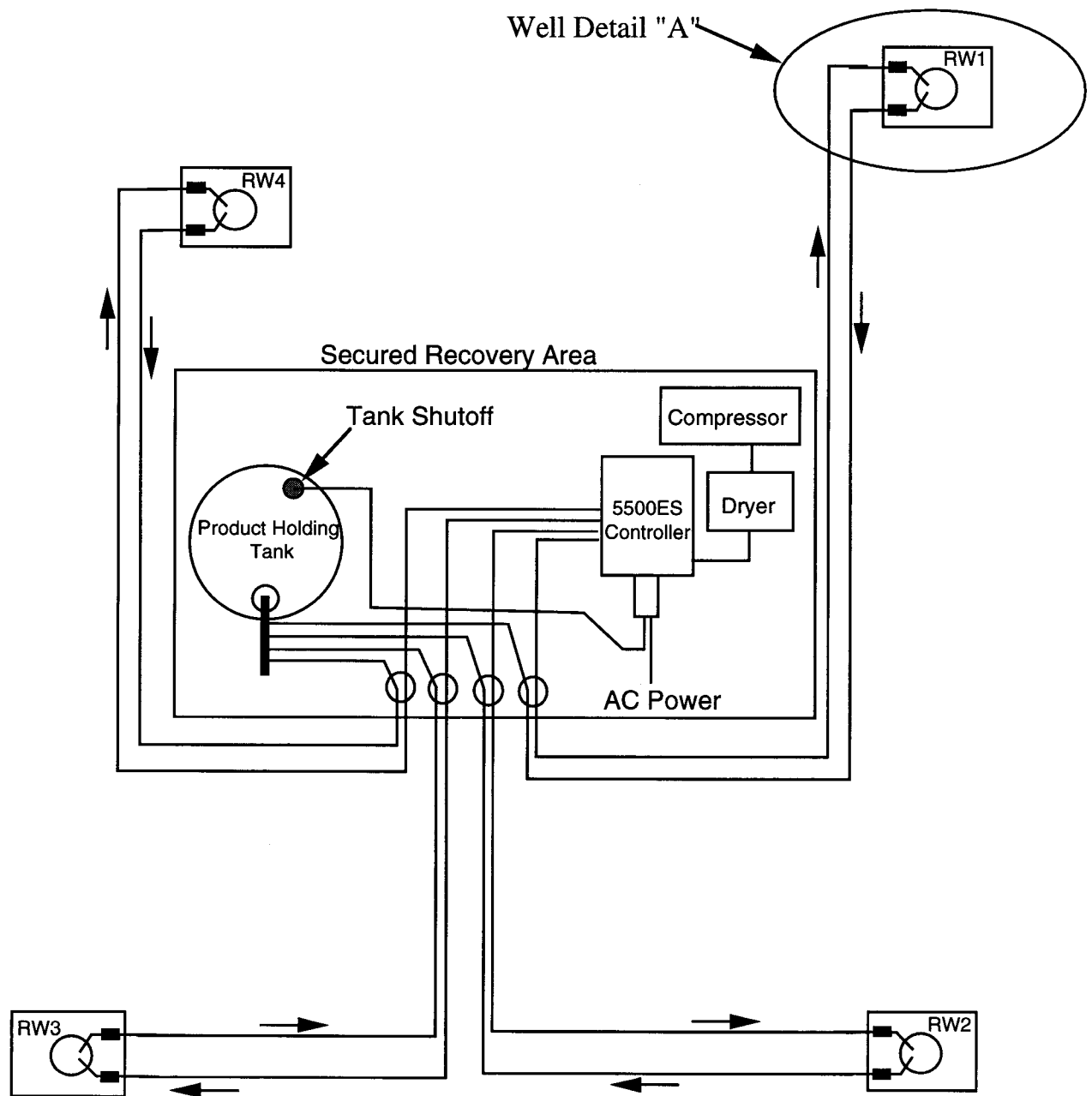


Multi-Well DNAPL Using 5500ES Controller AC Power



Well Detail "A"

